



输出功率：约0.3~8.0W

行星齿轮减速电机

典型应用： 电动窗帘  
智能家居  
智能机器人  
精密仪器

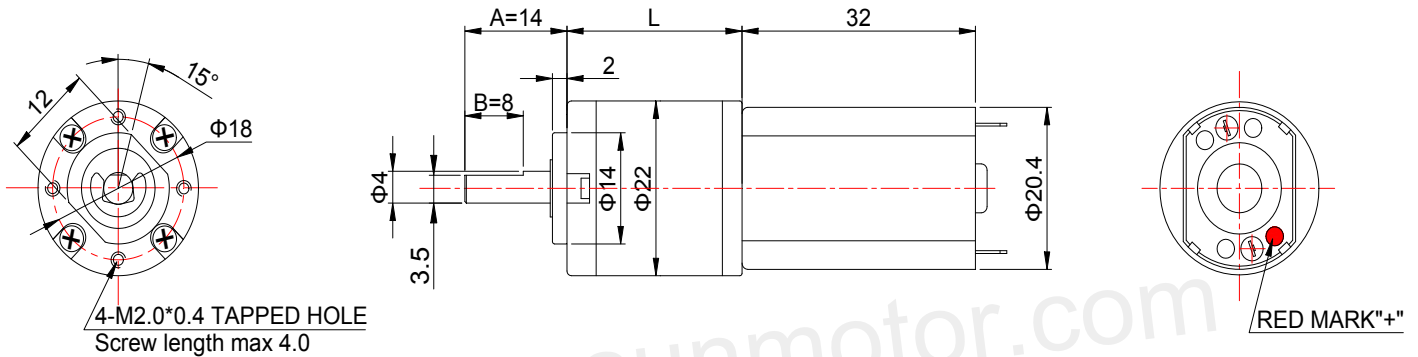
OUTPUT:APPROX 0.3~8.0W

Planetary Gear Motor

Typical Applications: Electric Curtains  
Smart Home Appliance  
Smart Robot  
Precision Instruments

## 1.OUTLINE DRAWING:

UNIT:MM



Customizable Parameters:

1. Length L、 A and B
2. Electric Performance
3. Output shaft specifications
4. Reduction Ratio

WEIGHT: 85g(Approx)

View:



## 2.GEARBOX REDUCTION RATIO:

Gearbox Length (mm)	Stage Number	Reduction Ratio						Rated Torque	Bearable Maximum Instant Torque
		kg.cm							
13.2	1	3.5/1	4/1				0.6	2.0	
16.8	2	12/1	16/1	19/1			1.5	4.0	
20.4	3	43/1	64/1	90/1			3.0	8.0	
24	4	150/1	256/1	304/1	361/1	428/1	4.0	10.0	
27.6	5	712/1	1024/1	1263/1	1444/1	1500/1	2036/1	4.0	10.0

## 3.MOTOR PERFORMANCE :

1N.m≈10.2kg.cm≈14.2oz.in

MODEL	REDUCTION RATIO	VOLTAGE		NO LOAD		AT MAXIMUM EFFICIENCY				STALL	
		OPERATING RANGE	NOMINAL	SPEED	CURRENT	SPEED	CURRENT	TORQUE	OUTPUT	TORQUE	CURRENT
			V	rpm	A	rpm	A	kg.cm	W	kg.cm	A
22PA180-16-12500	12/1	5.0~13.0	12.0	500	0.06	400	0.23	0.35	1.44	1.72	0.91
22PA180-64-12125	64/1	5.0~13.0	12.0	125	0.06	100	0.48	1.25	1.28	6.15	0.91
22PA180-428-1218	428/1	5.0~13.0	12.0	18	0.06	16	0.16	3.5	0.57	33.8	0.91
22PA180-256-2435	256/1	6.0~25.0	24.0	35	0.05	30	0.17	4.2	1.29	21.2	0.64
22PA180-712-2413	712/1	6.0~25.0	24.0	13	0.06	11.5	0.12	6	0.71	52.5	0.64